

# SCZ-3430

High Resolution 43x WDR Zoom Camera

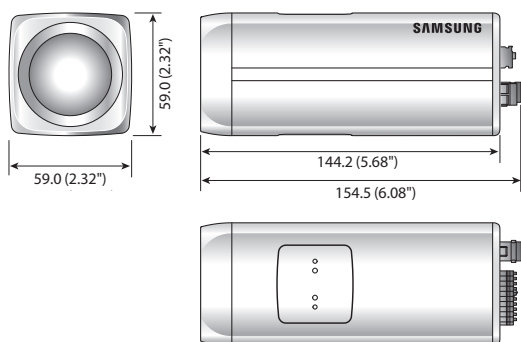


## Key Features

- High resolution of 600TV lines (Color), 700TV lines(B/W)
- Min. illumination 0.7Lux@F1.65 (Color), 0.07Lux (B/W)
- Powerful 43x zoom (3.2 ~ 138.5mm), Digital 16x
- WDR, VPS, True Day & Night (ICR), Intelligent video analytics, MD, DNR
- Coax : CCVC, RS-485, Dual power, 12V DC

## Dimensions

Unit : mm (inch)



## Accessories (Optional)



	SCZ-3430N	SCZ-3430ND	SCZ-3430P	SCZ-3430PD
<b>VIDEO</b>				
Imaging Device	1/4" Ex-view HAD CCD (Double scan)			
Total Pixels	811(H) x 508(V)		795(H) x 596(V)	
Effective Pixels	768(H) x 494(V)		752(H) x 582(V)	
Scanning System	2 : 1 Interlace			
Synchronization	Internal / Line lock	Internal	Internal / Line lock	Internal
Frequency	H : 15.734KHz / V : 59.94Hz		H : 15.625KHz / V : 50Hz	
Horizontal Resolution	Color : 600TV lines, B/W : 700TV lines			
Min. Illumination	Color : 0.7Lux@F1.65 (50IRE), 0.001Lux (Sens-up, 512x) : SCZ-3430 B/W : 0.07Lux@F1.65 (50IRE), 0.0002Lux (Sens-up, 512x) : SCZ-3430			
S / N Ratio	52dB (AGC off, Weight on)			
Video Output	CVBS : 1.0Vpp / 75Ω composite			
<b>LENS</b>				
Focal Length (Zoom Ratio)	3.2 ~ 138.5mm (Optical 43x)			
Max. Aperture Ratio	1 : 1.65(Wide) ~ 3.7(Tele)			
Angular Field of View	H : 61.22°(Wide) ~ 1.47°(Tele) / V : 47.16°(Wide) ~ 1.1°(Tele)			
Min. Object Distance	1m (3.28ft)			
Focus Control	Auto / Manual / One AF			
Zoom Movement Speed	3.2sec (Wide to tele)			
<b>OPERATIONAL</b>				
On Screen Display	English, Japanese, Spanish, French, Portuguese, Taiwanese, Korean	English, French, German, Spanish, Italian, Chinese, Russian, Polish, Czech, Romanian, Serbian, Swedish, Danish, Turkish, Portuguese		
Camera Title	Off / On (Displayed 54 characters)			
Day & Night	Day / Night / Auto (ICR) / External			
Backlight Compensation	Off / On (Area setting)			
Wide Dynamic Range	52dB	54dB		
Contrast Enhancement	XDR (Off / Low / Mid / High)			
Digital Noise Reduction	Adaptive 3D+2D (Off / Low / Mid / High / User)			
Digital Image Stabilization	Off / On			
Motion Detection	Off / Tracking / Detection			
Privacy Masking	Off / On (12 programmable zones with polygonal masking)			
Sens-up (Frame Integration)	2x ~ 512x			
Gain Control	Off / On			
White Balance	ATW1 / ATW2 / AWC / 3200°K / 5600°K			
Electronic Shutter Speed	1/60 ~ 1/120,000sec	1/50 ~ 1/120,000sec		
Digital Zoom	Off / On (1x ~ 16x)			
Reverse	Off / H-Rev / V-Rev / HV-Rev			
Profile	Standard / ITS / Backlight / Day & Night / Gaming / Custom			
VPS	Off / On			
Intelligent Video Analytics	Fixed / Moved			
PIP	Off / On			
Schedule	Day / Time			
Alarm	1 Out			
Communication	Coaxial control (SPC-300 compatible), RS-485			
Protocol	Coax : CCVC RS-485 : Samsung-T/E, Pelco-D/P, Panasonic, Bosch, Honeywell, Vicon			
<b>ENVIRONMENTAL</b>				
Operating Temperature / Humidity	-10°C ~ +55°C (+14°F ~ +131°F) / Less than 90% RH			
<b>ELECTRICAL</b>				
Input Voltage / Current	Dual (24V AC & 12V DC ±10%)	12V DC ±10%	Dual (24V AC & 12V DC ±10%)	12V DC ±10%
Power Consumption	Max. 5.6W	Max. 4.2W	Max. 5.6W	Max. 4.2W
<b>MECHANICAL</b>				
Color / Material	Silver / Aluminum, Steel			
Dimensions (WxHxD)	59.0 x 59.0 x 144.2mm (2.32" x 2.32" x 5.68")	59.0 x 59.0 x 113.9mm (2.32" x 2.32" x 4.48")	59.0 x 59.0 x 144.2mm (2.32" x 2.32" x 5.68")	59.0 x 59.0 x 113.9mm (2.32" x 2.32" x 4.48")
Weight	564g (1.24 lb)	421g (0.93 lb)	564g (1.24 lb)	421g (0.93 lb)

\* The latest product information / sepecification can be found at <http://security.hanwhatechwin.com>